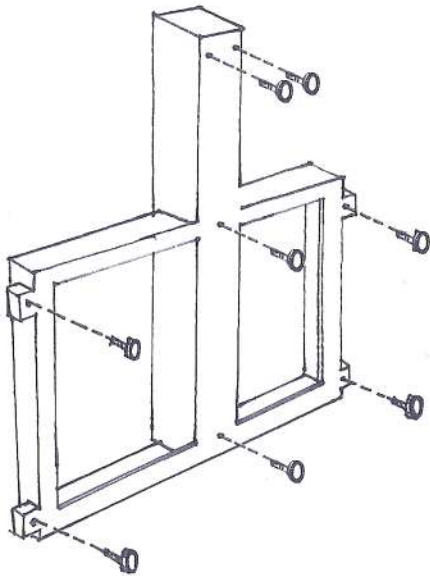


# Levante Side Wind Instructions

Sep	Pcs	Component description
A	1	Rotation mechanism
B	2	Bamboo locking screws
C	4	M10 Bolts for Rotation
D	3	Assembly tools
E	1	Base Metal Sleeve
F	1	Elbow bracket
G	1	Hanging bracket
H	1	Cleat for tilt rope
I	1	Winch and handle
J	1	Wire cover tube
K	1	Bamboo rope pull
L	1	Upright pole
M	1	Cross pole
N	1	Parasol canopy
O	2	Base weights
P	1	Base frame
Q	8	Rotation cover
R	4	Long bolt and nut set
S	8	Feet for base frame
T	1	Locking arm
	2	Bamboo tightening bolts
	2	Plastic washers
U	1	Instructions
V	1	Canopy frame bolt and grey step washers

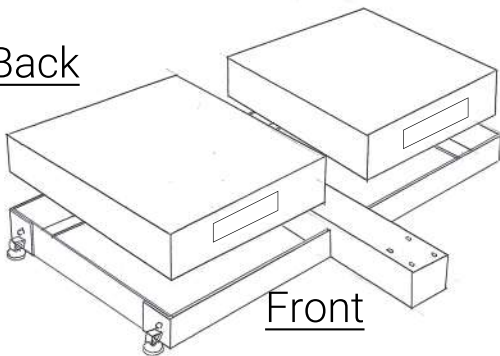




1. Screw the plastic feet (S) to the underside of the base frame (P).
2. Put the base frame in the desired (final) position, and adjust the feet until the frame is flat and level, **before placing the base weights**

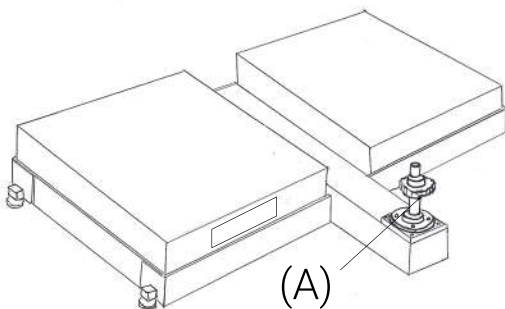
The next step will require 2 people, because of the weight of the bases.

Back

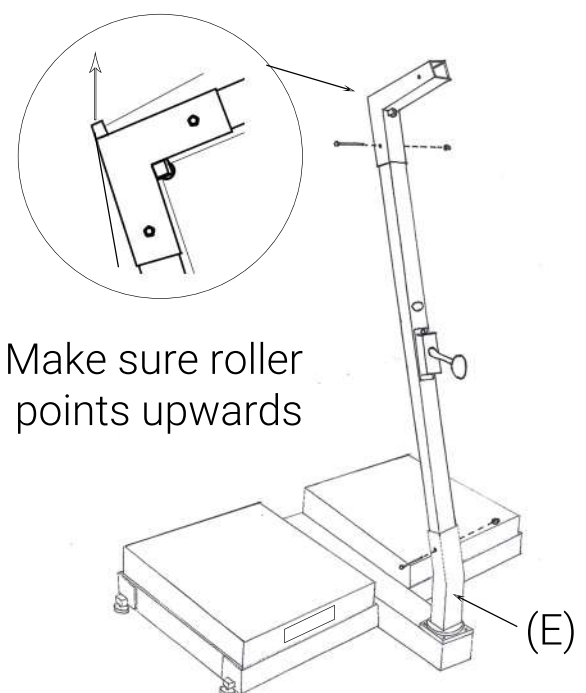


3. Place the base weights (O) in the base frame (P). The cutout handles **must go from front to back**.

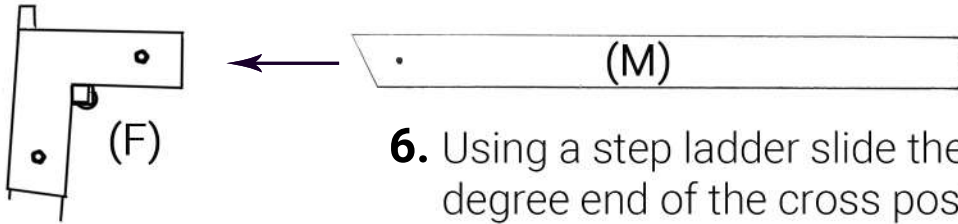
4. Fix rotation mechanism (A) to the base using the M10 bolts and washers and place the cover plate over the top (Q)



5. Place the metal sleeve (E) over the rotation mechanism (A) with the corners of the sleeve sitting over the dome shaped dimples on the round nylon disk at the bottom of the rotation mechanism. Place the post into the sleeve and ensure the winch is facing forward and in the opposite direction of the bases. Place the long bolt and nuts into the sleeve.

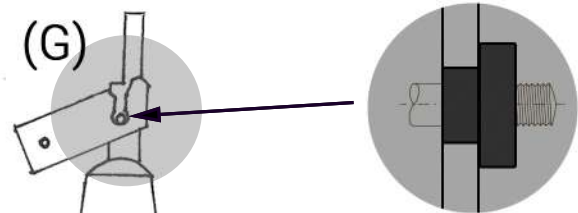


# Levante Side Wind Instructions

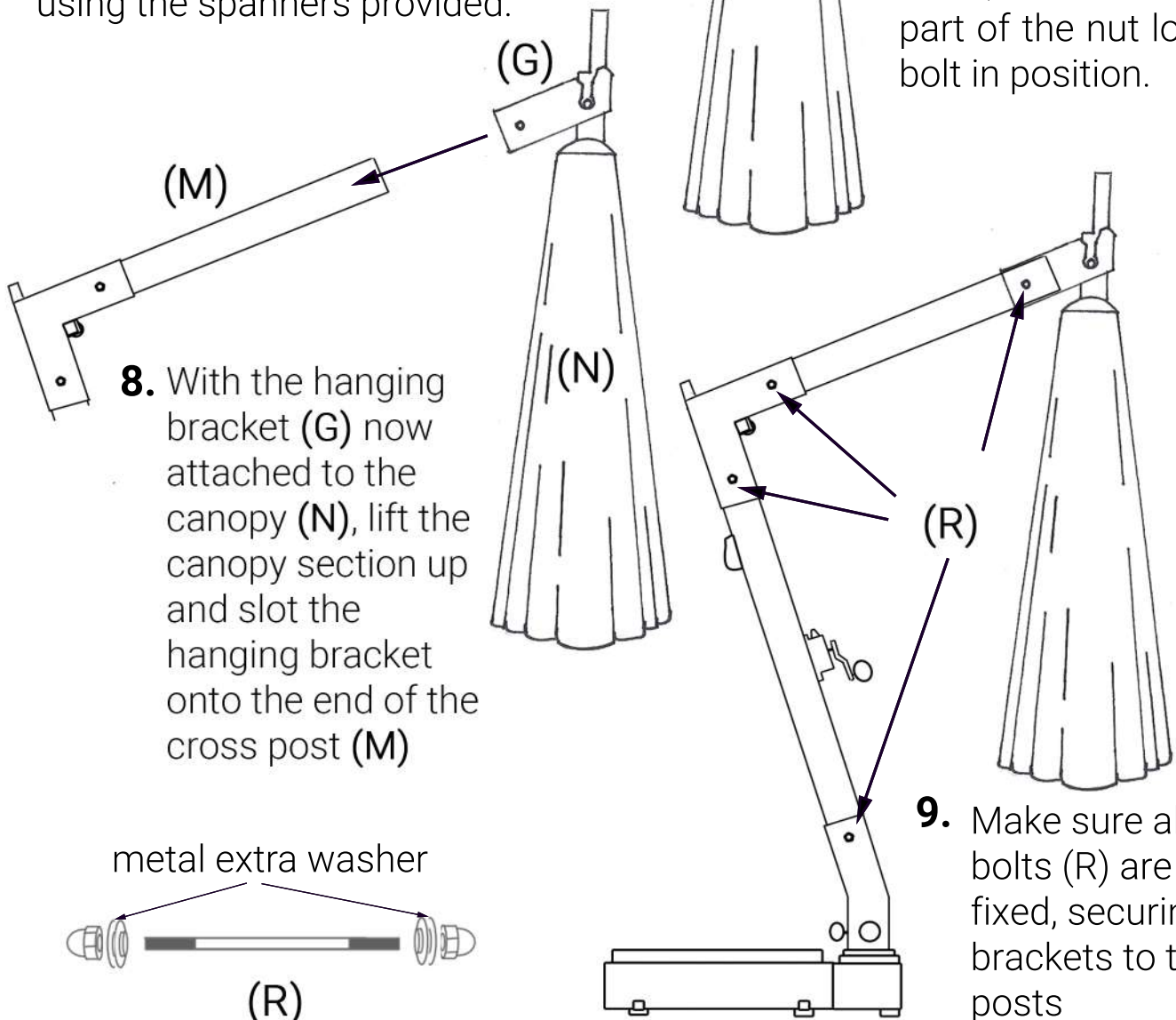


**6.** Using a step ladder slide the sloped, 45° degree end of the cross post (M) into the elbow bracket. Secure the post in place using the long bolt and nuts (R).

**7.** Next, remove the nuts and washers from the canopy frame bolt and slide the hanging bracket up over the canopy bolt. Then put the grey nylon washers onto the bolt making sure they sit inside the round cutout parts of the bracket. Secure with the metal washers and self locking nuts, using the spanners provided.

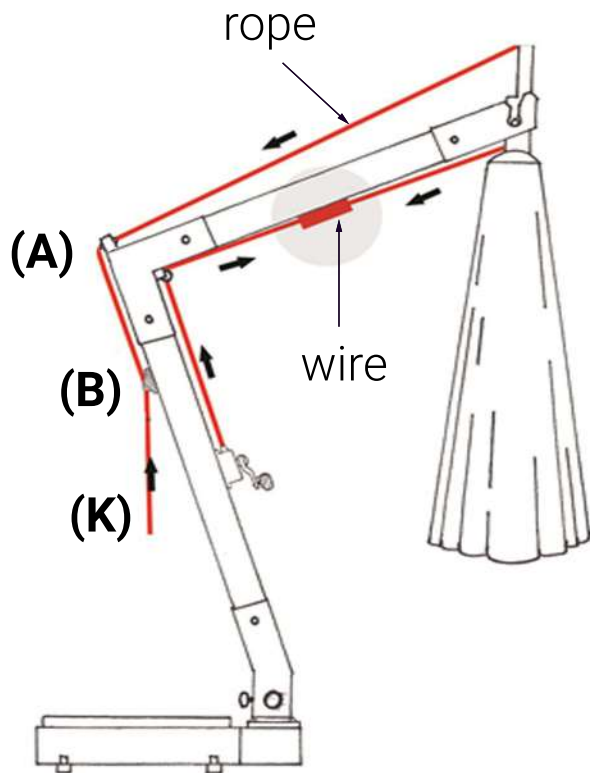


Make sure the thread of the bolt comes out of the nuts evenly on both sides, so the blue nylock part of the nut locks the bolt in position.



**8.** With the hanging bracket (G) now attached to the canopy (N), lift the canopy section up and slot the hanging bracket onto the end of the cross post (M)

**9.** Make sure all 4x bolts (R) are tightly fixed, securing the brackets to the posts



## 10. Tilt rope

Thread the tilt rope (from the top of the tube), over the pulley at (A). See diagram left.

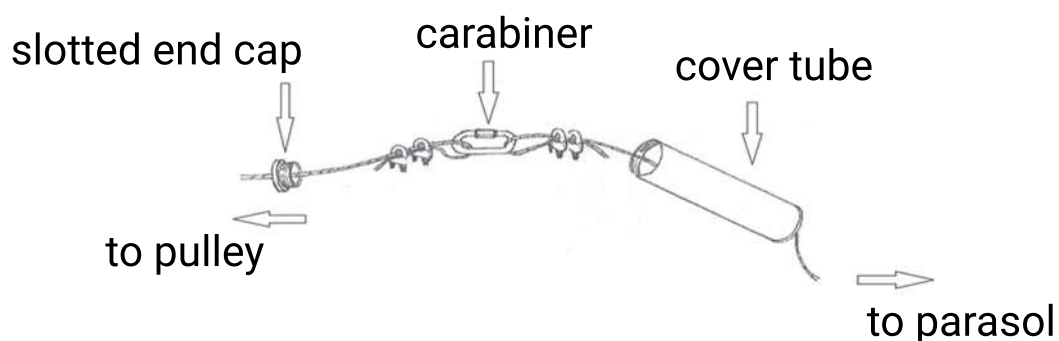
Run the rope through the top of the cleat at (B).

Thread the rope through the hole in the tilt rope pull (K)

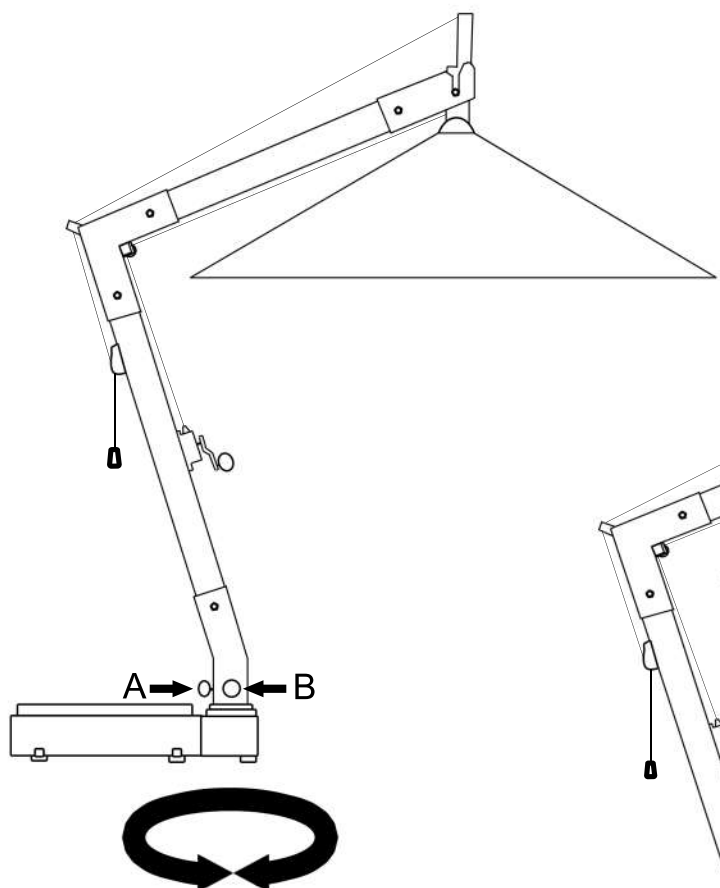
Tie a simple knot on the end of the rope and pull the handle down recessing the knot into the pull.

## 11. To attach the wire:

- Turn the winch to completely unspool the wire while always keeping tension on the wire.
- From the top of the canopy, locate the looped end of the wire.
- Unscrew the cap on the cover tube and pull the carabiner out from the tube then loop the canopy wire onto it and tighten carabiner with pliers.
- Pull the cover tube over the carabiner connection and fasten the slotted cap.

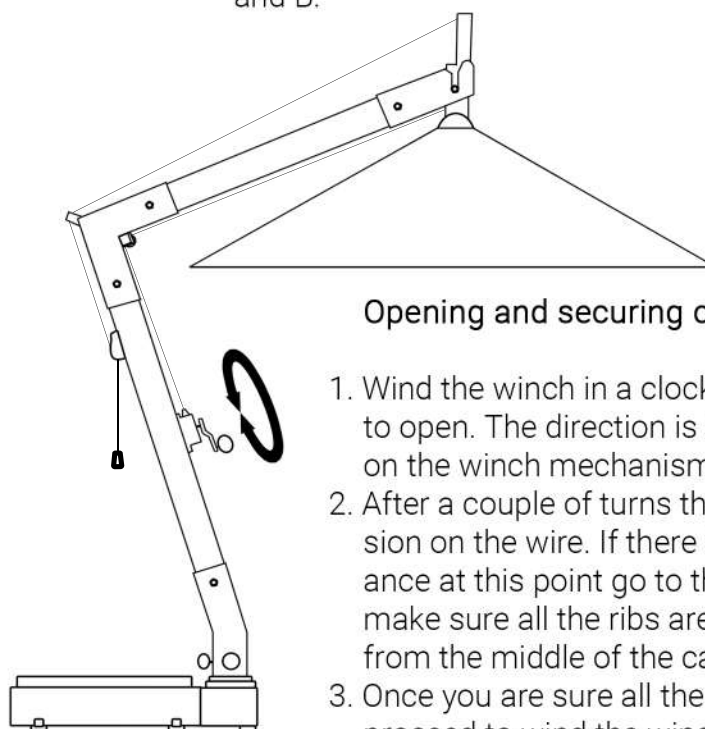






## Canopy rotation:

1. Unscrew the locking bolts marked A and B, until loose.
2. Rotate the canopy to the desired position by turning the upright pole.
3. Remember you **must** tighten back locking bolts A and B.

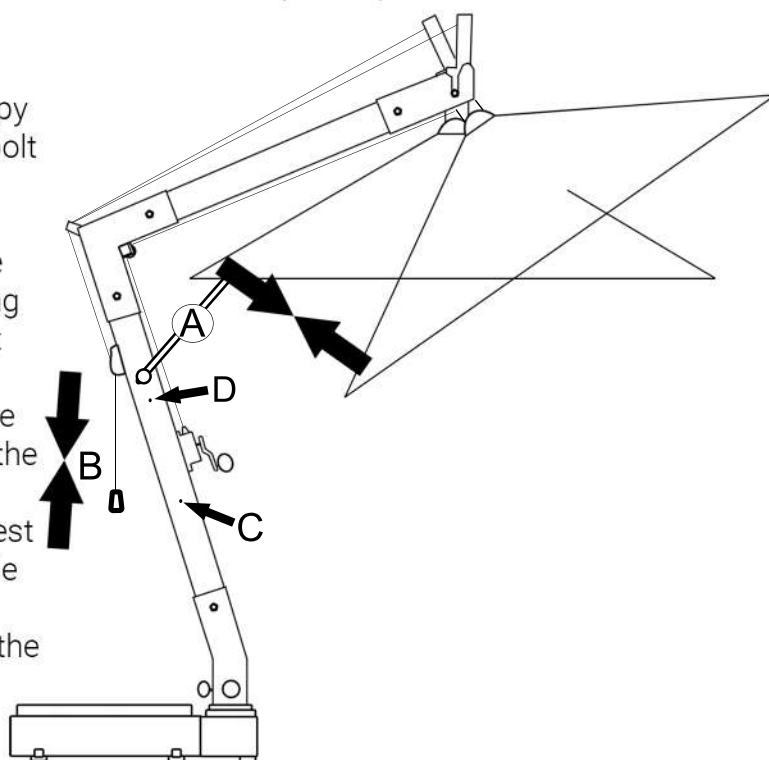


## Opening and securing canopy:

1. Wind the winch in a clockwise direction to open. The direction is clearly labelled on the winch mechanism.
2. After a couple of turns there will be tension on the wire. If there is any resistance at this point go to the canopy and make sure all the ribs are pulled out from the middle of the canopy.
3. Once you are sure all the ribs are free, proceed to wind the winch until the canopy is fully open.

## Locking and tilting the canopy:

1. Locking arm (A) can be used to secure the canopy in the open position. The large handled locking bolt on the one side of the arm screws to the pole in either the higher or lower fixing point (D). The smaller handle on the opposite side screws to the canopy, on the arm closest to the pole. This fixing arm should always be secured when you are not using the tilt.
2. To tilt the canopy, unscrew the locking arm at the canopy and secure it to the pole, pushing it into the position point (C).
3. Tilt the canopy by pushing the canopy arm nearest the pole downwards to the desired tilt angle while pulling the rope labelled B through the cleat.
4. Lock the rope labelled B into the cleat to secure the canopy in the tilted position.

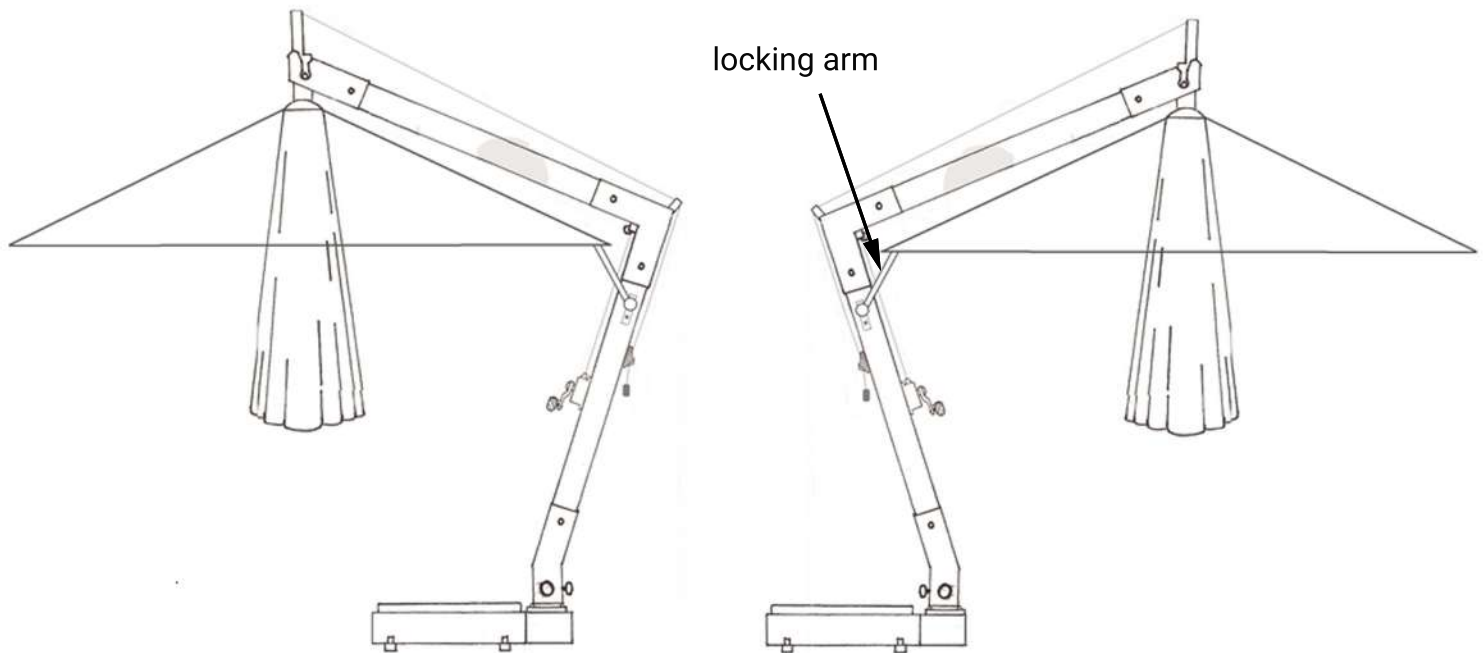


**NB: DO NOT TILT THE CANOPY IN WINDY CONDITIONS.**

## **IMPORTANT SAFETY NOTICE**

**PLEASE NOTE;** NEVER HAVE THE CANOPY HANGING OVER THE BASES, (IMAGE ON LEFT), IF THE WIND SPEED IS ABOVE 10mph/15kph.

ALWAYS USE THE LOCKING ARM WHEN THE WIND GOES ABOVE 10mph/15kph AND DO NOT HAVE THE CANOPY TILTED IF THE WIND IS ABOVE 10mph/15kph.



### **PLEASE NOTE:**

Although our umbrellas have been tested to withstand use in very windy (test) conditions, we recommend collapsing your umbrella when the wind picks up above 25mph/40kph. Damage caused by stronger winds, is not covered by our warranty.